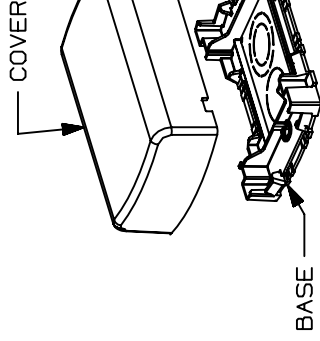
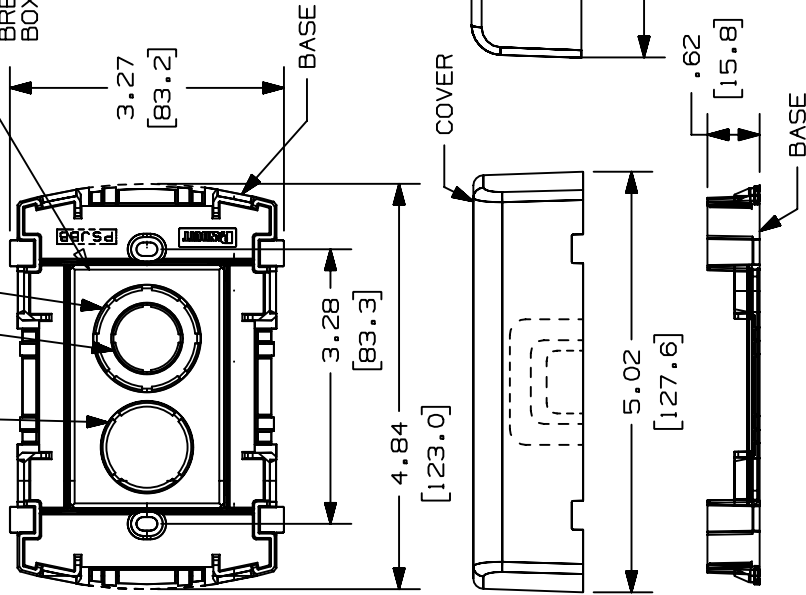


THIS COPY IS PROVIDED ON A RESTRICTED BASIS AND IS NOT TO BE USED IN ANY WAY DETRIMENTAL TO THE INTERESTS OF PANDUIT CORP.  
 BREAKOUT FOR 3/4" CONDUIT  
 BREAKOUT FOR 1/2" CONDUIT  
 BREAKOUT FOR 1" CONDUIT  
 CENTER RECTANGLE  
 BREAKOUT FOR WALL  
 BOX.

PANDUIT P/N	WEIGHT
PSJBX	2.2 LB/10 PCS (994g/10 PCS)



- NOTES:
- SEE CURRENT CATALOG FOR ADDITIONAL PART NUMBER SUFFIXES TO INDICATE COLOR AND OR PACKAGE QUANTITY.
  - THIS PRODUCT IS INTENDED TO BE USED WITH PANDUIT TYPE LDP, LD, CD, RACEWAYS.
  - DIMENSIONS IN PARENTHESIS ARE IN METRIC.



CAD FILENAME/LAYERS D35541CE\_DC\_JB\_PSBX\_02.PRT

**PANDUIT** CORP. TINLEY PARK, ILLINOIS  
 POWER SOURCE JUNCTION BOX (PSJBX)  
 CUSTOMER DRAWING

UNLESS OTHERWISE SPECIFIED, DIMENSIONAL TOLERANCES ARE: (.X) ± (.XXX) ±.010(.3) (.XX) ±.03(.8) ANGLES ±		UNLESS OTHERWISE SPECIFIED, ALL DIMENSIONS ARE GIVEN IN INCHES, THIRD ANGLE PROJECTION.	
DRAWN BY JBA	MAT'L: PVC	SCALE NONE	DWG NO. 35541-31
DATE 09-19-96	CHECKED BY CEF		SIZE A

REV	DATE	BY	CHK	DESCRIPTION	ECN	CHK	CUST	SUP
2	07-21-99	DW	HIW	B. DWG NUMBER WAS CORRECTED FROM 35241-31 A. REV'D WEIGHT AND MAT'L WAS ABS/PC	35541-31	HIW	HIW	
1	07-11-97	DW	HIW	REVISED AND REDRAWN	35541-31	HIW		
R	09-19-96	JBA	CEF	RELEASED TO PRODUCTION	35541-31	CEF		